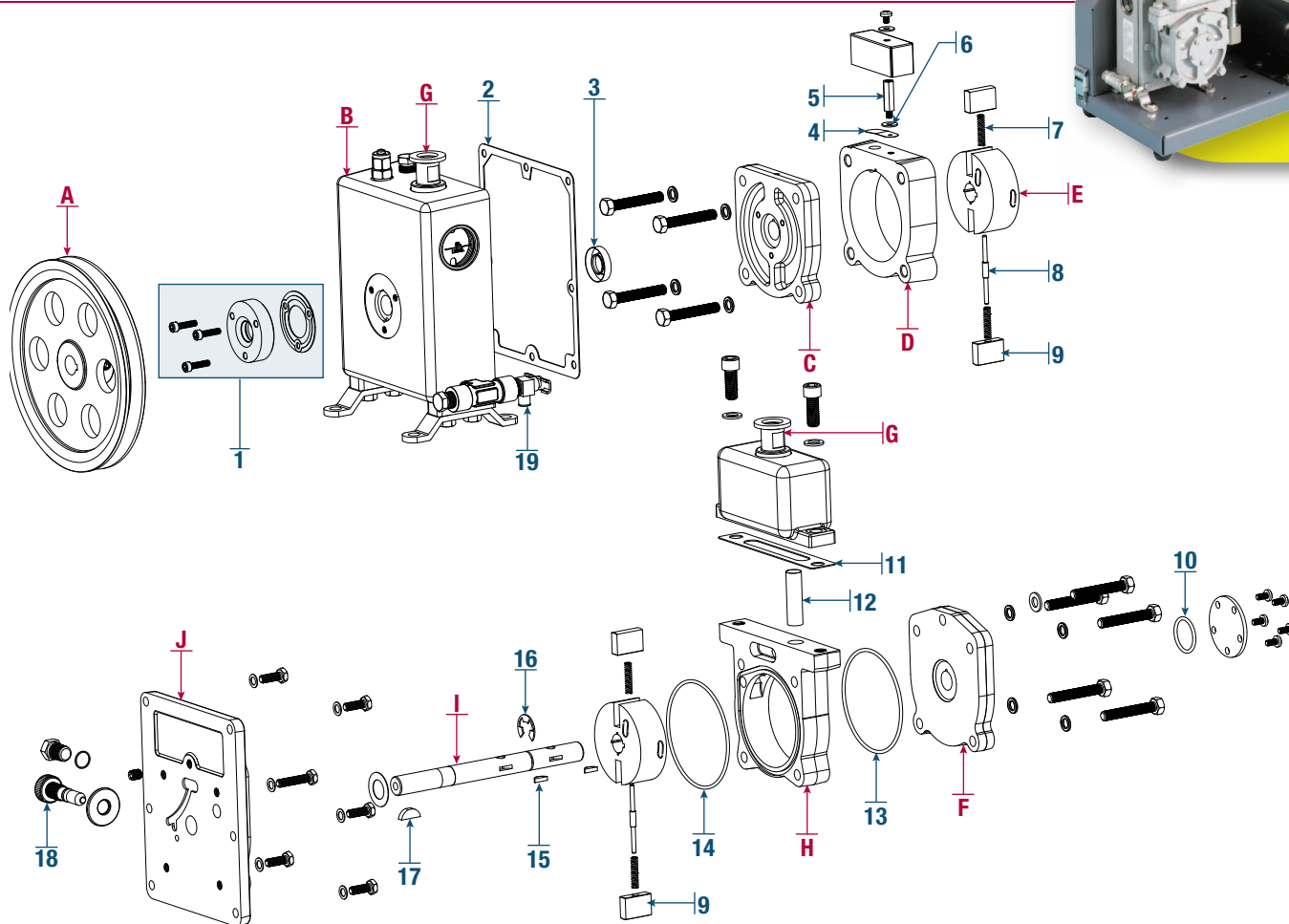


CHEMSTAR® Pumps for Corrosive Gases

Model 1400N



Major Repair Kit CAT. No. 1400K-10 for Model 1400N

ID	Qty.	Description	ID	Qty.	Description
Major Repair Kit 1400K-10					
1	1	Shaft Lip Seal Kit, 5/8" CAT. NO. 1401E-01	11	1	Gasket, Intake Chamber Cover
2	1	Gasket Oil Case	12	1	Intake Screen
3	1	Lip Seal	13	1	O-Ring
4	1	Exhaust Valve	14	1	O-Ring
5	1	Stud Baffle	15	2	Woodruff Key
6	1	Flat Washer Brass	16	1	Retaining Ring
7	4	Vane Spring	17	1	Woodruff Key
8	2	Spring Holder for Vane	Minor Repair Kit CAT. No. 1400K-09		
9	4	Vane	Contains same as Major Repair Kit 1400K-10 except vane I.D. No. 9.		
10	1	O-Ring			

Individual Spare Parts for Model 1400N

ID	Qty.	CAT. No.	Description	ID	Qty.	CAT. No.	Description
A	1	41-2191	Pump Pulley with Set Screw			★1417	Standard Exhaust Filter
B	1	61-8548C	Oil Case Assembly			★1417L	Replacement Exhaust Filter Element (2 pk.)
C	1	41-1045	Front Plate			★8995G-11	Gold Vacuum Pump Oil -1 L.
D	1	41-1042	Inner Ring			★8995G-15	Gold Vacuum Pump Oil -1 Ga.
E	1	41-1040	Rotor			★331040-5	5' x 7/16" I.D. Vacuum Hose
F	1	61-8701	Back End Plate	9	1	41-1059	Vane
G	1	1393F	ISO NW 16 Adapter to 3/4"-20			61-8901	Belt Guard
H	1	61-8674	Intake Ring			61-8916	Pump Base
I	1	41-1060	Shaft	18	1	41-1736	Gas Ballast Valve
J	1	61-8678	Center Plate			41-0551	Motor Pulley with Set Screw
				19	1	726130	Oil Drain Valve
1	1	★1401E-01	Shaft Lip Seal Kit, 5/8"			41-3753	Oil Case Window
						61-8622	1/3 HP Motor, 115V, 60Hz, 1Ph
						★1400A	V-Belt

★ - Suggested Spare and Consumable Parts